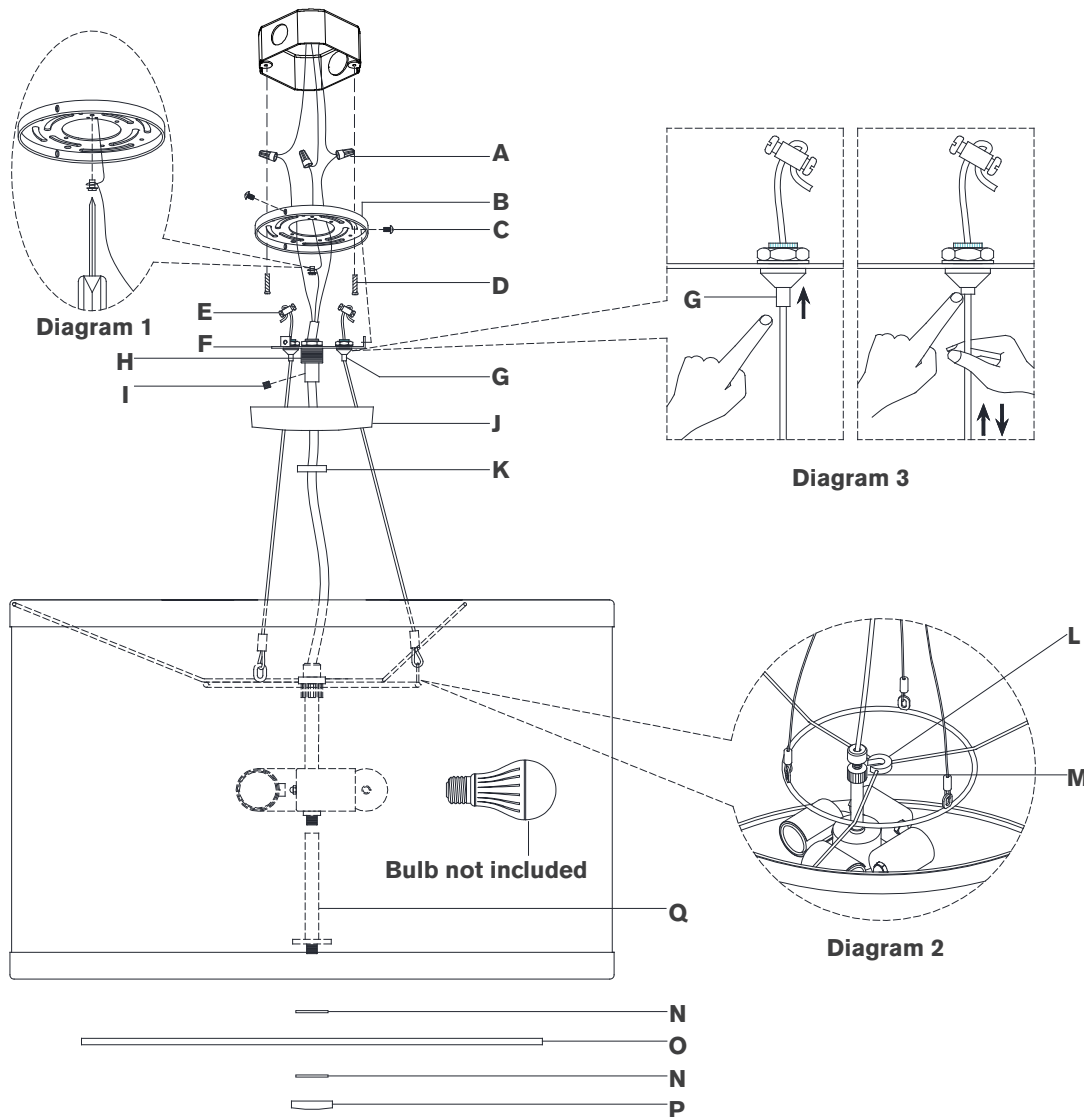


## ASSEMBLY INSTRUCTIONS



## Walker Medium Hanging Shade

Item # KS 5078

### NOTICE:

This light fixture should be installed in accordance with all applicable, local installation codes, and by a person familiar with the construction and operation of it, as well as the hazards involved. Inspect item and contents carefully. If any damage or defect is found, do not install. Retain all packaging material until installation is complete and approved.

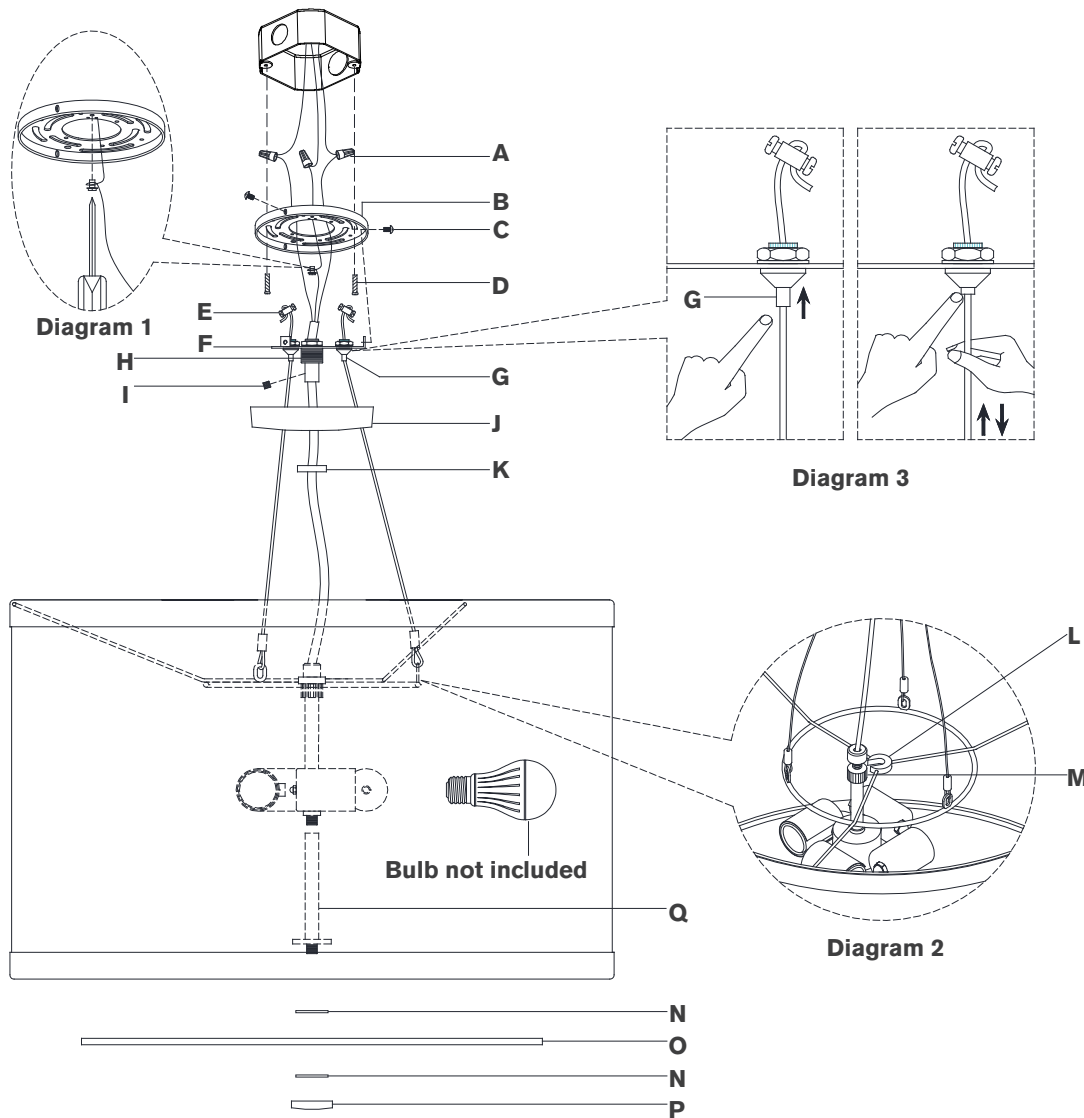
### TOOLS REQUIRED (NOT INCLUDED):

Phillips Screwdriver	Slotted Screwdriver	Measuring Tape
Wire Cutters	Wire Strippers	

### PERSONS REQUIRED: Two

- Carefully remove all parts from the box. Place on a clean, soft surface.
- Remove canopy (**J**) from bracket (**F**) by removing collar ring (**K**).
- Remove mounting plate (**B**) from bracket (**F**) by removing screws (**C**).
- Install mounting plate (**B**) to junction box and secure with mounting screws (**D**).
- Install shade split washer (**L**) above knurled ring (**M**) and secure by screwing tight as shown in diagram 2.
- Locate the three steel hanging cables on top of shade. Run cable through canopy (**J**), then insert through cable stopper (**G**) by pushing up as shown on diagram 3. Adjust to desired height then repeat steps with remaining cables.
- Loosen set screw and feed fixture electrical wire through the collar ring (**K**), canopy (**J**), collar loop (**B**) and bracket (**F**). Adjust wire to desired length then tighten set screw.  
**NOTE:** Make sure there is no tension on the electrical wire when fixture is fully extended.
- Cut excess wire, being sure to leave about **12"** to reach the junction box.

## ASSEMBLY INSTRUCTIONS



## Walker Medium Hanging Shade

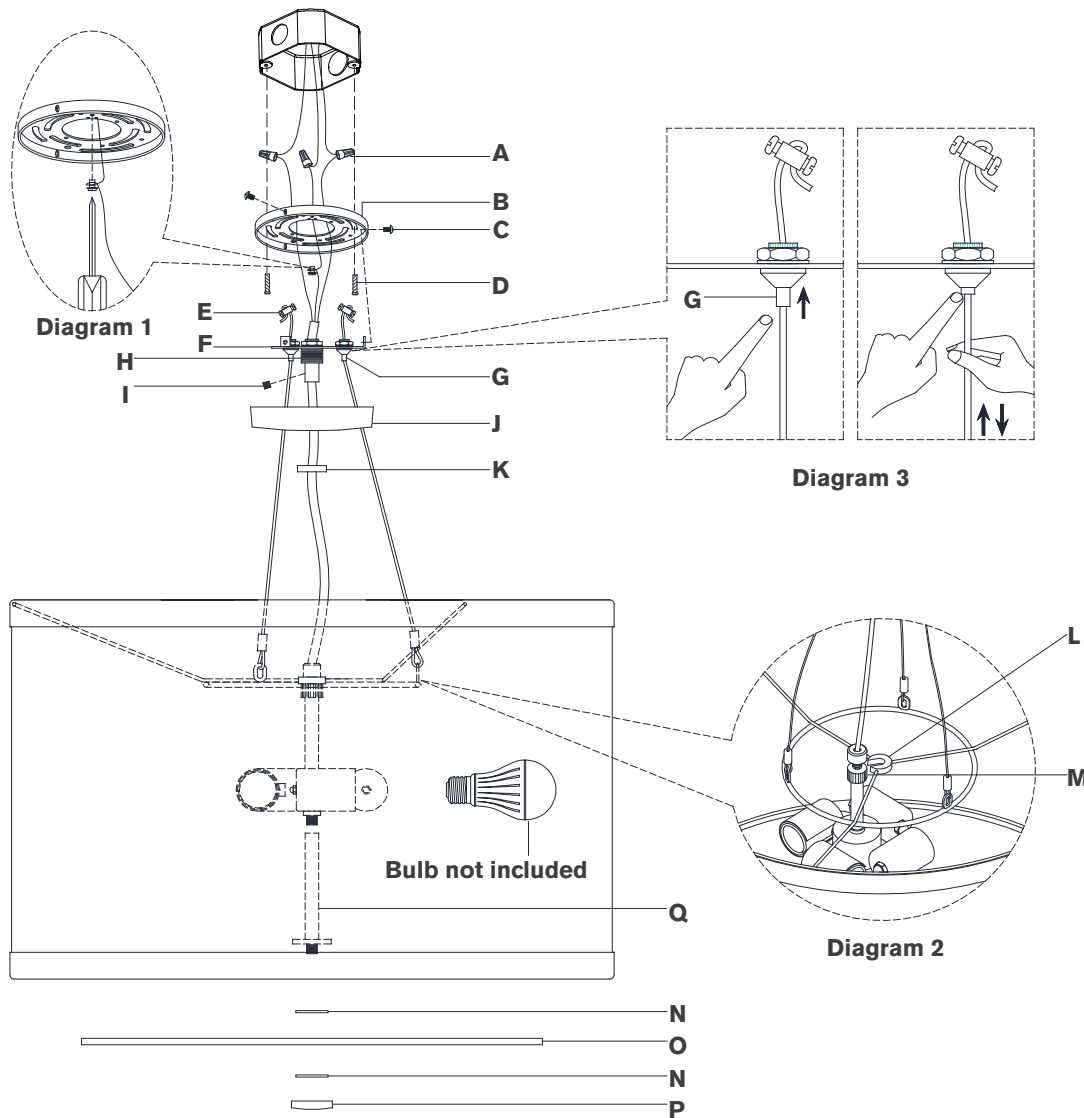
Item # KS 5078

### NOTICE:

This light fixture should be installed in accordance with all applicable, local installation codes, and by a person familiar with the construction and operation of it, as well as the hazards involved. Inspect item and contents carefully. If any damage or defect is found, do not install. Retain all packaging material until installation is complete and approved.

9. Remove outer housing of wire by making a neat cut all the way around, about 1" from the end. Make sure not to cut too deep or electrical wires could be damaged underneath. Once cut is made, remove and discard the 1" piece of housing off the end, exposing the electrical wires.
10. Separate wires, and strip insulation on each 5/8".  
**NOTE:** It is recommended to have a helper assist in supporting the fixture in steps 11-15.
11. Wrap fixture ground wire (green) around the green grounding screw (see diagram 1). Continue fixture ground wire and connect to supply ground wire (usually green or bare copper) using wire nut **(A)**.  
**NOTE:** It is imperative that the fixture is grounded.
12. Connect fixture neutral wire (white) to the supply neutral wire (usually white) using wire nut **(A)**.
13. Connect the fixture hot wire (black) to the supply hot wire (usually black) using wire nut **(A)**.  
**CAUTION:** Do not reverse the hot and neutral connections.
14. Make sure all wire connections are tight, then carefully tuck into the junction box.
15. Install fixture by securing bracket **(F)** to mounting plate **(B)** using screws **(C)**.

## ASSEMBLY INSTRUCTIONS



## Walker Medium Hanging Shade

Item # KS 5078

### NOTICE:

This light fixture should be installed in accordance with all applicable, local installation codes, and by a person familiar with the construction and operation of it, as well as the hazards involved. Inspect item and contents carefully. If any damage or defect is found, do not install. Retain all packaging material until installation is complete and approved.

16. Install canopy (**J**) to collar loop (**H**) and secure with collar ring (**K**).
17. Install light bulbs (not included) into the sockets.
18. Thread rod (**Q**) to the bottom of fixture body.
19. Attach rubber washers (**N**) to either side of the diffuser (**O**) and secure to rod (**Q**) with finial (**P**).

**Care Instructions:** Clean only with a soft dry cloth or feather duster. Do not use abrasive or chemical agents.