

**SAFETY INFORMATION**

Please read and understand this entire manual before attempting to assemble, install or operate the product.

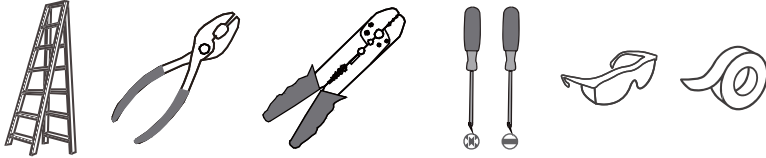
**WARNING**

- RISK OF ELECTRIC SHOCK - Before beginning installation, turn off electricity at the circuit breaker box or the main fuse box.
- RISK OF FIRE - Use bulbs specified by the markings and/or labels on the fixture.

**CAUTION**

- For your safety, read instructions completely before beginning installation.
- If in doubt about electrical installation, consult a licensed electrician.
- Turn off electricity to fixture before replacing the bulb(s).

**TOOLS REQUIRED**

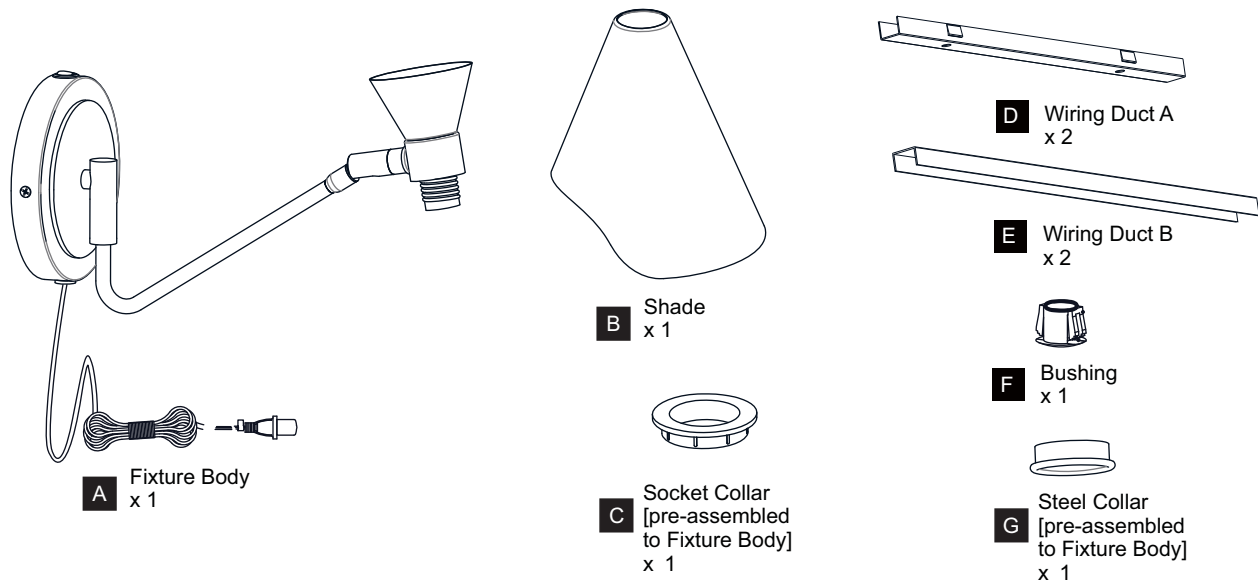


**CARE AND MAINTENANCE**

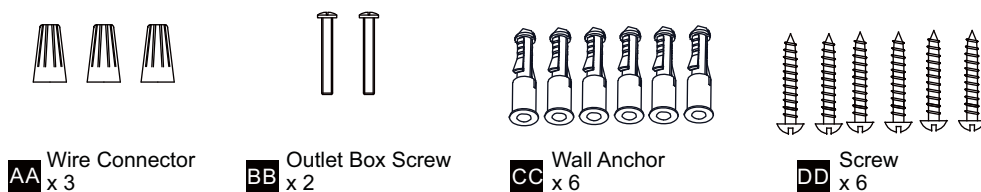
- Wipe clean using soft, dry cloth or static duster. Always avoid using harsh chemicals and abrasives to clean fixture as they may damage the finish.

If you need further assistance call Quozel Customer Care at 1-800-645-3184 (9:00am - 5:00pm EST), or visit us on-line at [www.quozel.com](http://www.quozel.com).

**PACKAGE CONTENTS**



**MOUNTING HARDWARE**

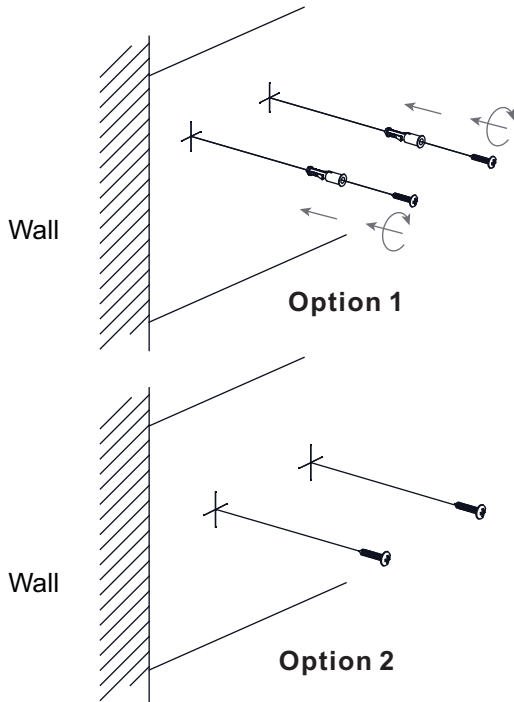


# INSTALLATION

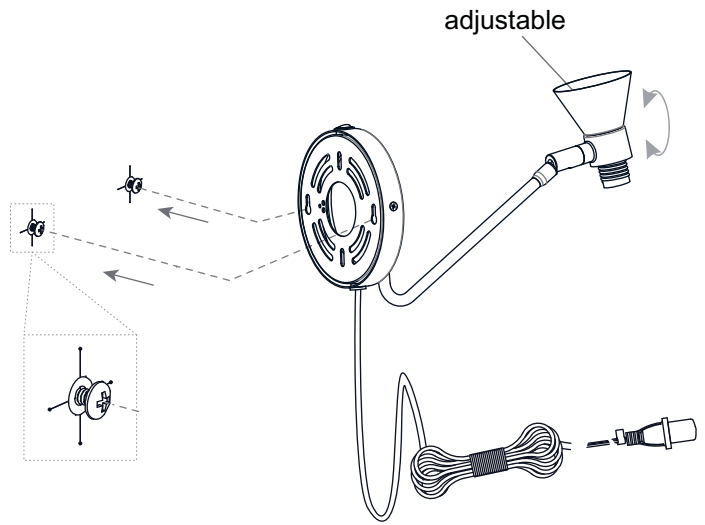
## Option 1 Portable

### 1 Install Wall Anchors and Screws

**NOTE: Do not install on gypsum surface.  
Install on wood or concrete surface.**



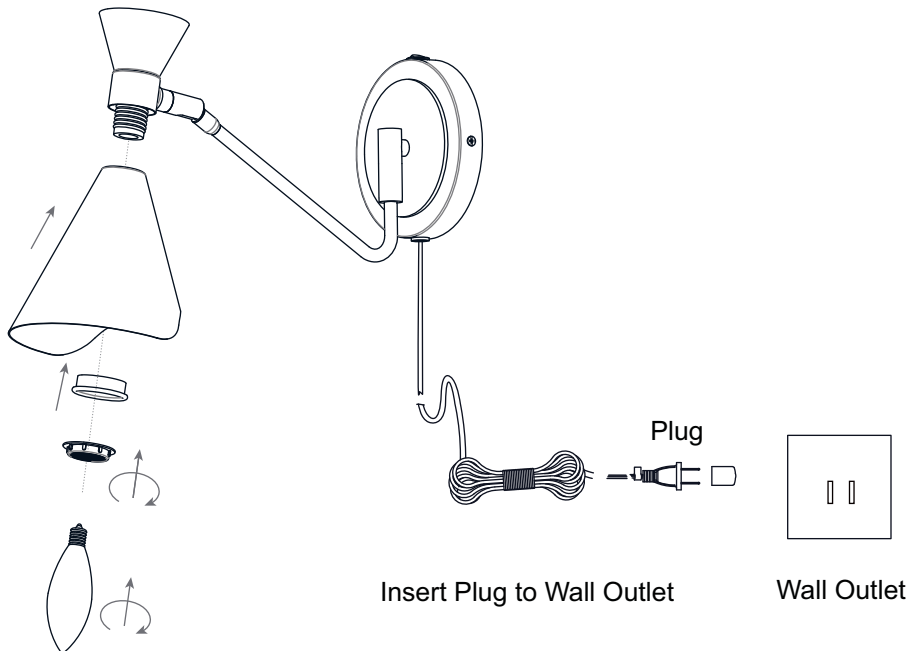
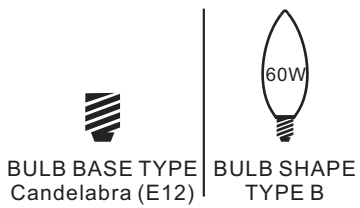
### 2 Install Fixture Body



### 3 Install Shade and Bulb

Install the correct bulb referring to fixture markings and/or labels for maximum wattage.

**Recommended Bulb Type (not included):**

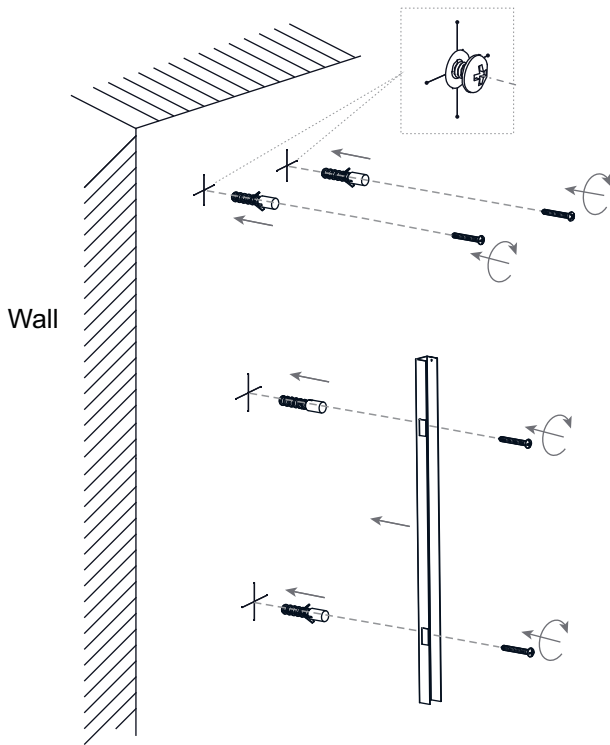


# INSTALLATION

## Option 2 Portable

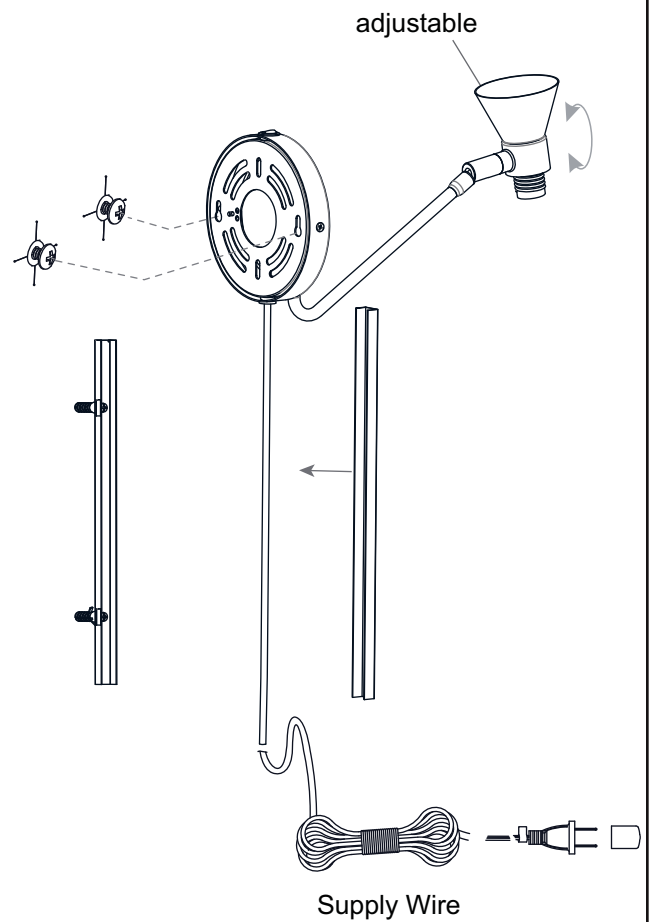
### 1 Install Screws and Wiring duct A

**NOTE: Do not install on gypsum surface. Install on wood or concrete surface.**



Optional Wiring ducts:  
Determine the Wiring ducts to be assembled to the Fixture Body according to the desired mounting location.

### 2 Install Fixture Body and Wiring Duct B



### 3 Install Shade and Bulb

Install the correct bulb referring to fixture markings and/or labels for maximum wattage.

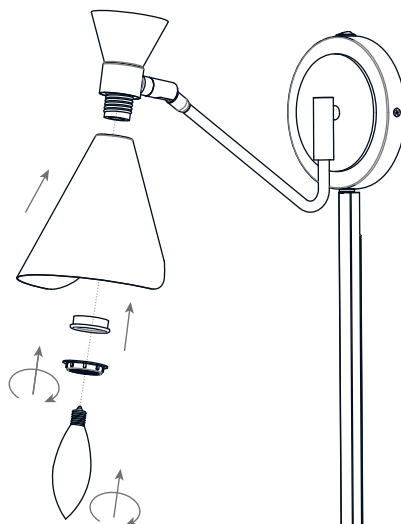
**Recommended Bulb Type (not included):**



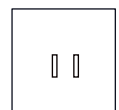
**BULB BASE TYPE**  
Candelabra (E12)



**BULB SHAPE TYPE B**  
60W



Insert Plug to Wall Outlet

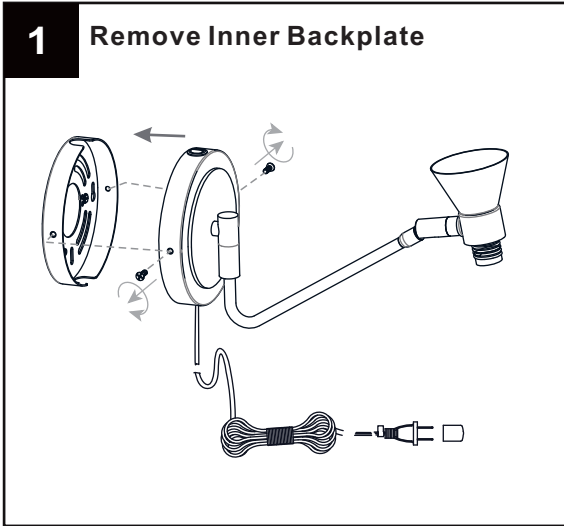


Wall Outlet

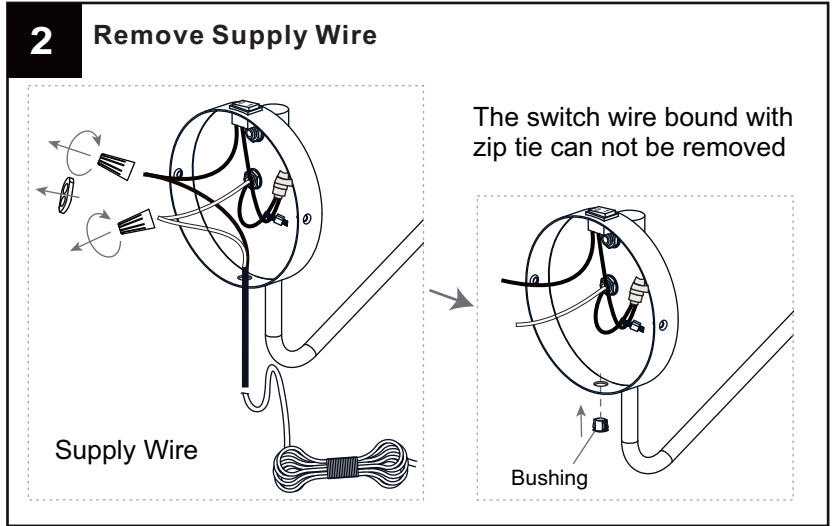
# INSTALLATION

## Option 3 Wall Fixture

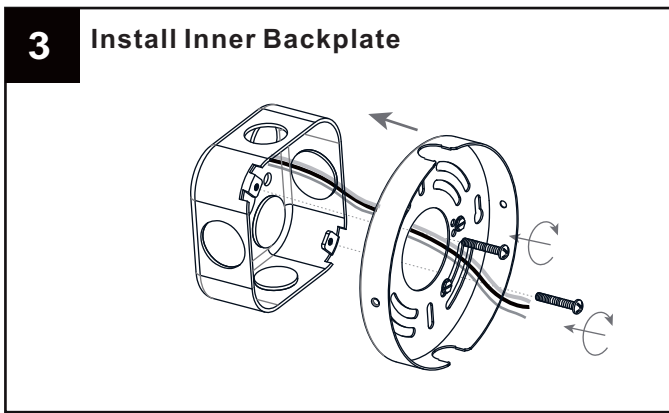
### 1 Remove Inner Backplate



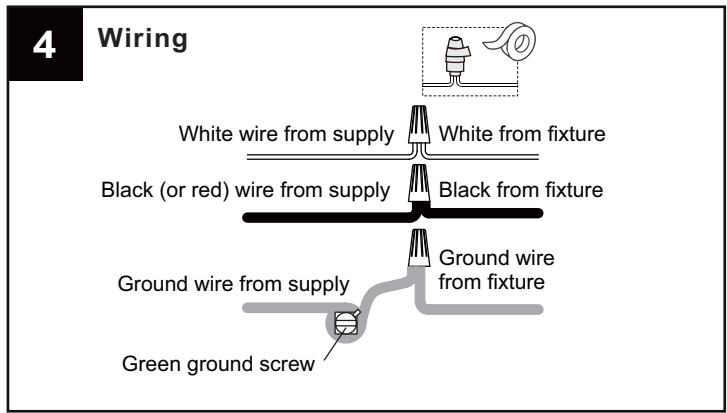
### 2 Remove Supply Wire



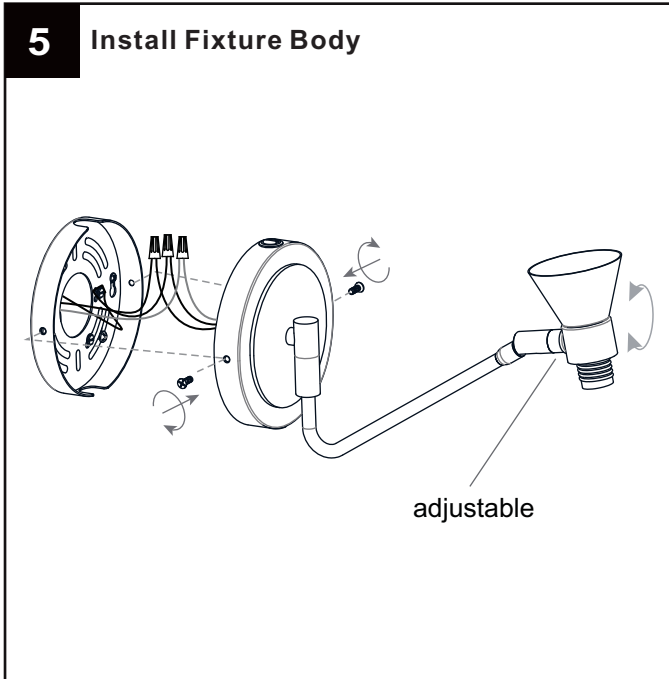
### 3 Install Inner Backplate



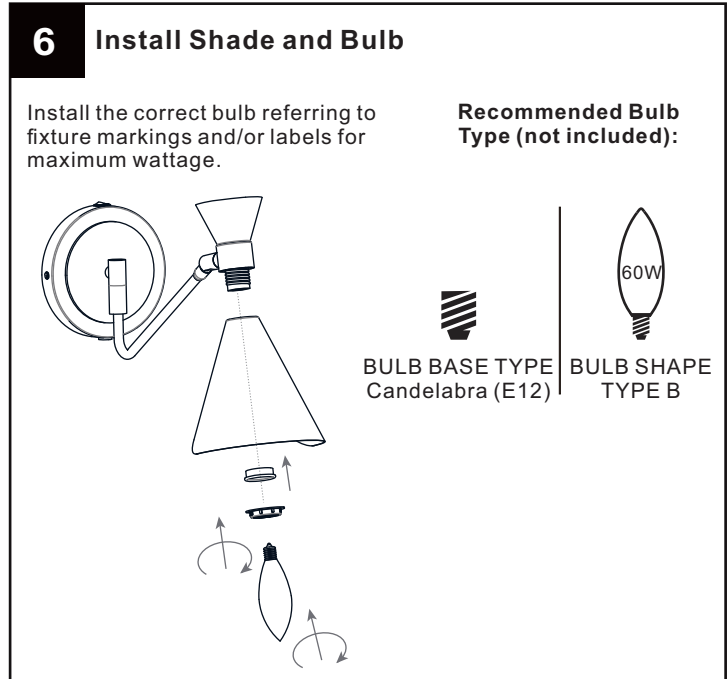
### 4 Wiring



### 5 Install Fixture Body



### 6 Install Shade and Bulb



Your installation is now complete! Restore electricity and save this sheet for future reference.